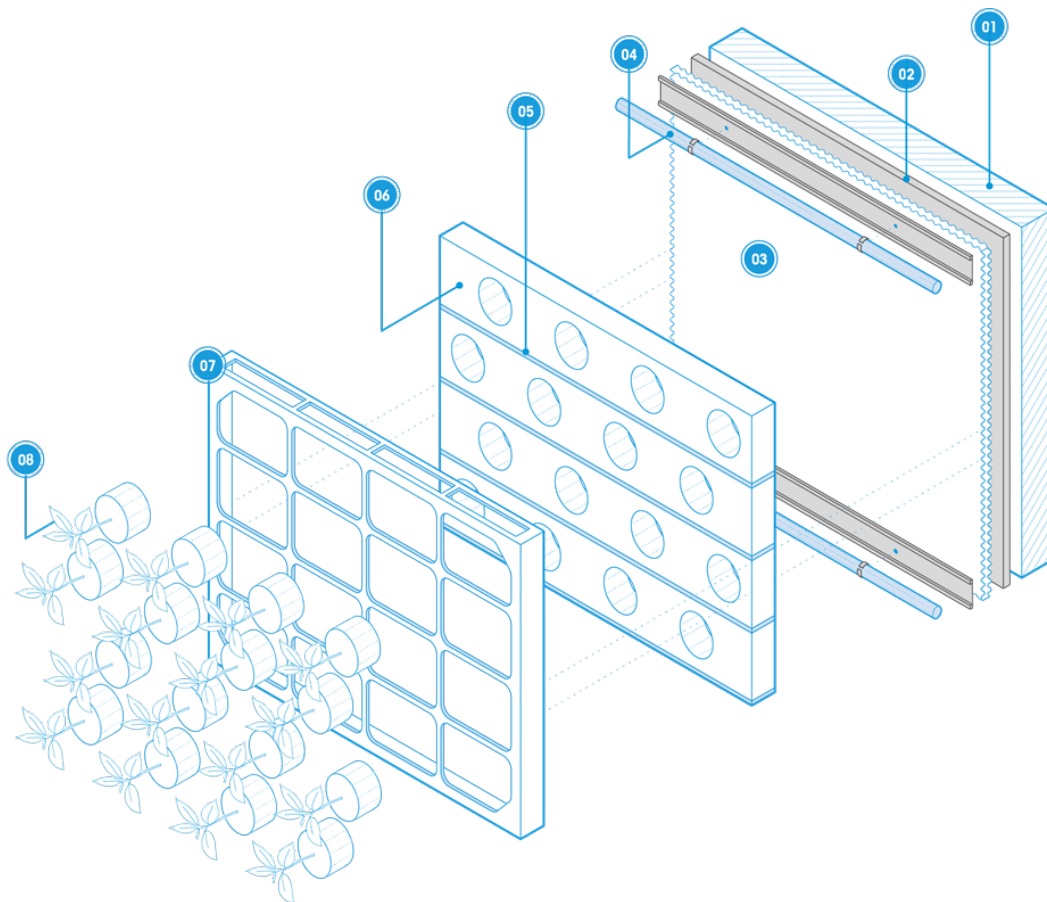


Living Wall Biotile Description

Sagegreenlife Living Wall System: Wall-mounted construction designed to support planting modules (Biotiles™) containing living plants in an inorganic growing medium, automatically irrigated with nutrient-enriched water and drained through integral layers of composite drainage material. System may be constructed at the project site or may be delivered fully or partially assembled. System will require connections to plumbing, drainage and electrical systems.

The Biotile in the Sagegreenlife system is 23 5/8" wide x 15 3/4" high. Entire system with fully planted and saturated Biotiles weighs approximately 13-15 lbs per square foot.



1. Support System
2. Waterproof Backing Board
3. Rear Drainage Layer
4. Aluminium Rails and Dripline
5. Capillary Breaks
6. Grodan Growing Medium
7. Panel Box
8. Plants